

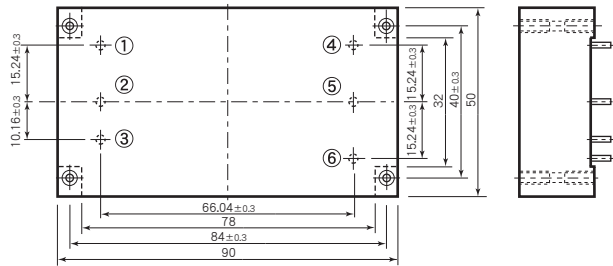
MC SERIES

24~30W AC/DC CONVERTERS Single Output



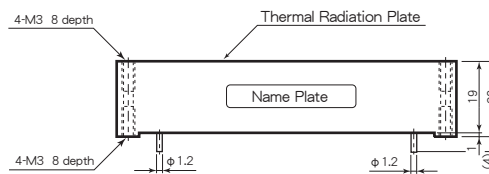
Pin Outs & Dimensions (±0.5mm)

<Top View>

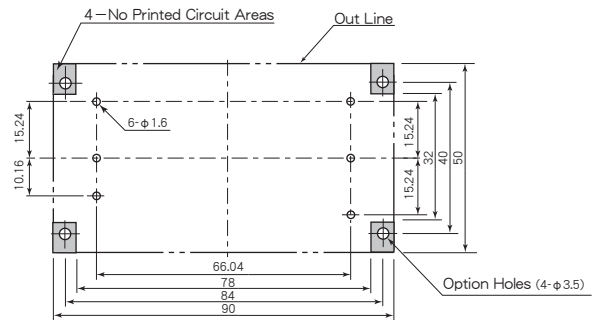


Pin Outs

①	AC in
②	AC in
③	Frame Ground
④	+Vdc out
⑤	0 Vdc out
⑥	No Connection



Hole Configurations on PCB (Top View)



Selection Guide

Table 1

Model Number	Input Volt. (Range) (V. AC)	Output Voltage (V. DC)	Output Current (A)	Efficiency (Typical)(%)	
				20% Load	80% Load
MC100 - 3.3 S 7.2 A	100 (85~132)	3.3	7.2	75	84
MC100 - 5 S 6 A		5	6	75	85
MC100 - 12 S 2.6 A		12	2.6	75	85
MC100 - 15 S 2 A		15	2	75	85
MC100 - 24 S 1.3 A		24	1.3	75	85

※ 上記仕様以外にも対応可能ですので お問い合わせ下さい。
Please consult with us about other specification.

Features

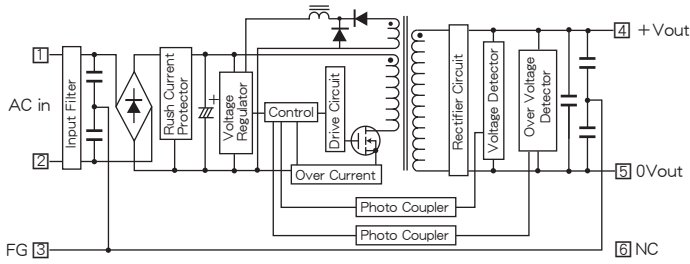
- Low Profile 20mm
- Input-Output Isolation (AC2000V)
- High Efficiency 84~85%
- Completely Molding Device
- 6 Sided Metal Shielding
- Output Over Voltage Protection
- Thermal Protection
+90°C~+100°C
- Operating Ambient Temperature
-30°C~+71°C
- VCCI Class B
- Conformity to RoHS Directive
- 薄型 20mm
- 入出力間絶縁 (AC2000V)
- 高効率 84~85%
- 完全モールド製品
- 6面メタルシールド
- 出力過電圧保護回路内蔵
- 過熱保護回路内蔵
+90°C~+100°C
- 動作周囲温度
-30°C~+71°C
- VCCI クラスB 準拠
- RoHS指令対応

General Characteristics

- Input Voltage, Range
 - Input Frequency
 - Output Voltage, Current
 - Output Voltage Accuracy
 - Efficiency
 - Line Regulation
 - Load Regulation
 - Output Ripple
 - Output Noise
 - Short Circuit Protection
 - Over Voltage Protection
 - Temperature Coefficient
 - Operating Ambient Temp.
 - Max. Case Temperature
 - Storage Temperature
 - Isolation Voltage
 - Isolation Impedance
 - Weight
 - Humidity
 - Shock
 - Vibration
 - Surface Structure
 - Soldering Conditions
 - MTBF
 - Warranty
- (at Ta : 25°C, Full Load, Nominal Vin)
AC100V (See Table 1)
47~440Hz
See Table 1
±2%
±3% (3.3, 5V Vout only)
See Table 1
±0.5% max. (at Vin Range)
±0.5% max. (0~100% Load)
(0.2% Vout+40mV) p-p max.
(0.5% Vout+50mV) p-p max.
Built-in, Auto-restart (See Fig. 2)
115~140% Output Voltage
0.02%/°C max.
-30°C~+71°C (See Fig. 1)
+85°C
-40°C~+85°C
AC2000V one minute
(Input-Output-Case)
100MΩ min. (at DC1000V)
(Input-Output-Case)
200g max.
20~95% RH
490m/s² (11msec 3directions)
10~55Hz 98m/s²
(30minutes 3directions)
6 Sided Aluminum Case
360°C, for 5 seconds max.
130,000H
(Ta : 25°C, 80% Load, Nominal Vin)
5 years

MC SERIES DATA SHEET

Block Diagram



Characteristic Curves

Fig. 1 Derating Curve

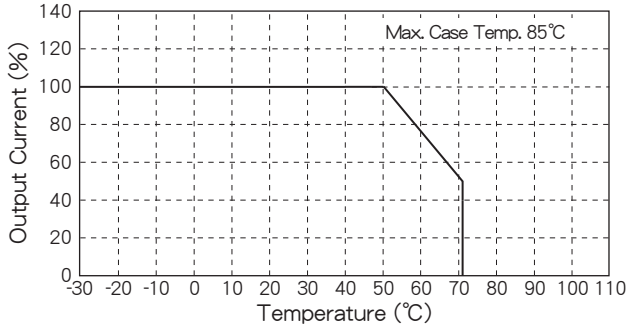


Fig. 2 Short Circuit Operating Area

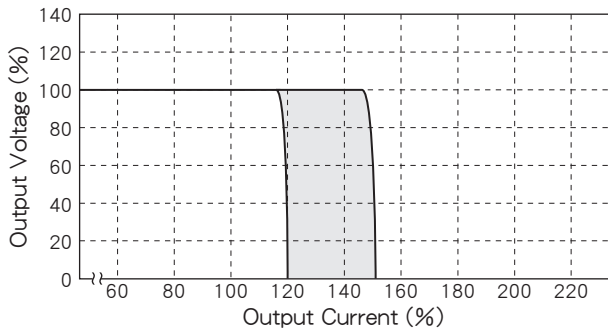


Fig. 3 Temperature Characteristic on Case Surface

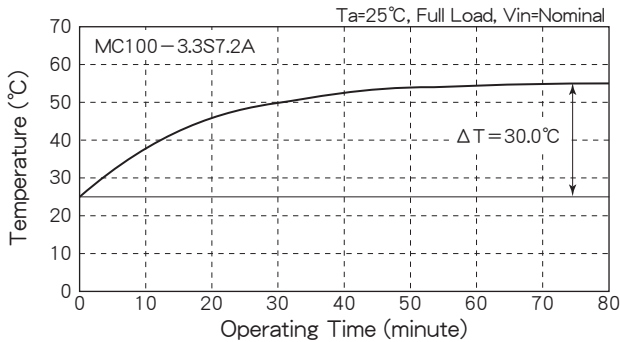


Fig. 4 Efficiency vs. Output Current

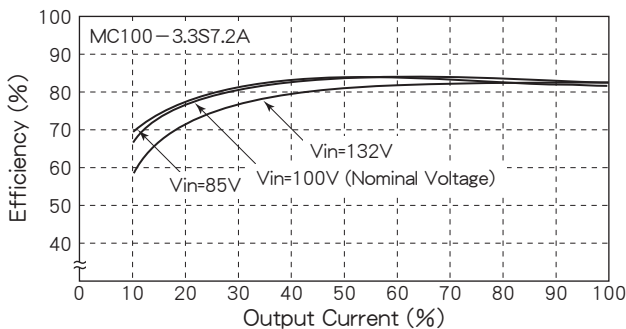


Fig. 5 Efficiency vs. Output Current

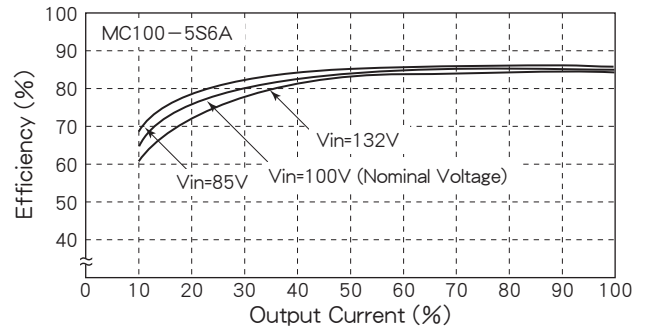


Fig. 6 Efficiency vs. Output Current

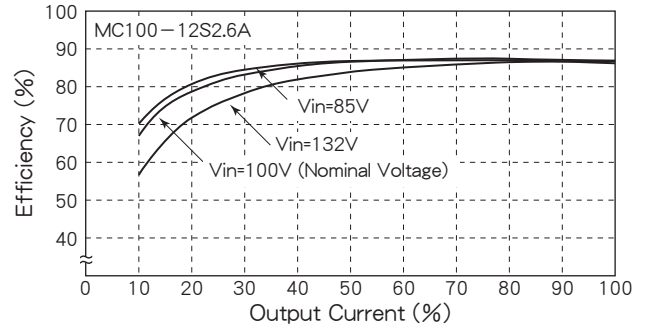


Fig. 7 Efficiency vs. Output Current

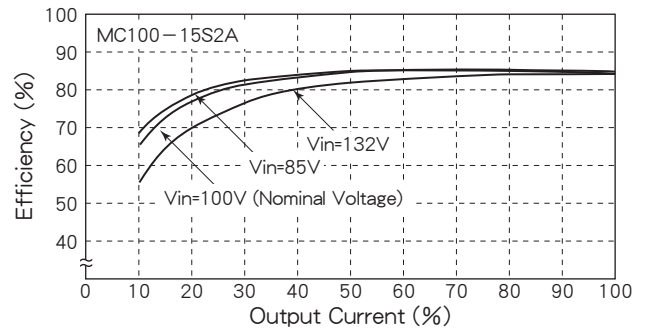


Fig. 8 Efficiency vs. Output Current

